

## Contact us:

Dronivo GmbH  
Giulinistraße 2;  
Gebäude S07;  
67065 Ludwigshafen  
Germany

## Flight Checks:

- ✓ General Checks
- ✓ Preflight Checks
- ✓ Inflight Checks
- ✓ Battery Information

# Parrot

## ANAFI USA

Start/Stop recording  
Zoom



Zoom and gimbal reset  
Gimbal tilt control

RTH



Take off/Landing

Visible>IR>Hot spot>Cold spot> Visible  
Screenshot  
Video>Map>Video

USB A



RJ45 (Ethernet)

ON/OFF

USB C



Bitte Bild ändern,  
das ist keine Parrot  
Anafi USA

Super Quick Start Guide  
ANAFI USA x Skycontroller  
USA

BY DRONIVO GMBH

MCPKG01417A



## ✓ Preflight Checks:

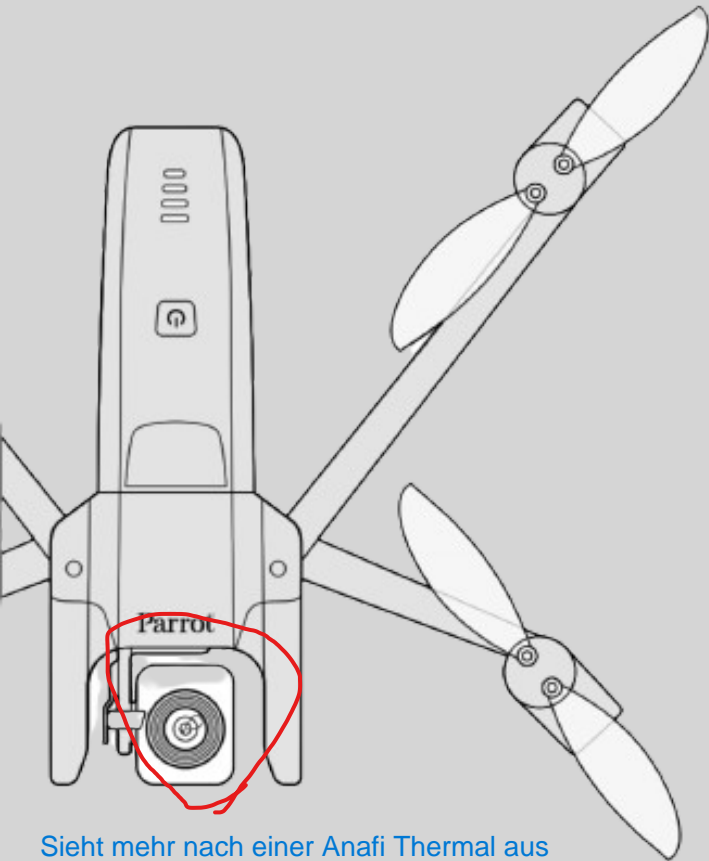
1. Remove control - Power on
2. Arms - Deploy
3. Drone battery level - Check
4. Drone - Power on
5. Propeller blades - Check
6. Gimbal stabilization - Check
7. Wi-Fi link - Check
8. Obstacles in flight zone - Check
9. Line of sight - Estimate
10. Take-off - Proceed
11. Streaming - Check
12. RTH\* settings - Check/modify as required by mission
13. GPS - Check
14. Auto recording - Check/modify as required by mission

17. Magnetometer - Calibrate
18. Main camera streaming - Check
19. Zoom camera streaming - Check
20. IR camera streaming - Check then back to Visible
21. Gimbal stabilization - Check
22. Hand launch - Activate/deactivate as required by mission
23. Map - Charge
24. Security settings - Check
25. Flight Preset - Check
26. LED Settings - Check
27. Network settings - Select Manual / set a 5 Hz channel / revert to Auto
28. Take-off - Proceed
29. Flight stability - Check
30. Joystick and triggers control - Check
31. Landing - Proceed
32. Drone - Power off
33. Remote control - Power off

## ✓ General Checks:

1. Gimbal protection - Remove
2. Arms - Deploy
3. Arms - Check general condition and absence of cracks
4. Propeller blades - Check general condition and absence of cracks
5. Propeller blades - check tightening
6. Gimbal - Check if it is free on both axes
7. Camera lenses - Cleanse
8. SD Card - Check presence
9. Vertical camera and ultrasonar - Check/cleanse
10. Battery - Insert
11. Drone - Power on
12. Remote control - Power on
13. Stylus - Check/cleanse
14. Wi-Fi link - Check
15. Battery levels (drone and remote control) - Check full charge
16. SD Card - Format/Encrypt

# ANAFI™



Sieht mehr nach einer Anafi Thermal aus

Super Quick Start Guide™

When a battery is not plugged to a power source, its 4 LEDs indicate its charge level after a short press on the power button:

1 flashing LED: 0-20%

1 1 LED: 21-40%

2 LEDs: 41-60%

3 LEDs: 61-80%

4 LEDs: 81-100%

NOTE 1: ANAFI USA batteries can be charged with any USB-C cable.

NOTE 2: ANAFI USA batteries hibernate after 10 days without use. In hibernation mode, batteries discharge to 65% charge, their LEDs do not turn on, and they cannot power the drone.

Thanks to hibernation mode, batteries last longer without losing their power. To get a battery out of the hibernation mode, plug it to a power source.

## ✓ Inflight Checks:

1. Signal strength
2. GPS
3. Height
4. Drone battery level
5. Remote control battery level
6. Video recording
7. Obstacles
8. Line of sight
9. RTH\* path

## ✓ Battery Information

When a battery is plugged to a power source, its 4 LEDs\* indicate its charge level:

- 1 LED - 0-24%
- 2 LED - 25-49%
- 3 LED - 50-74%
- 4 LED - 75-100%

\*RTH - Return to Home: by default, the drone flies back to its Home point (take-off point or 1st GPS fix), but the function is fully customizable through FreeFlight 6.

\*LED - Light Emitting Diode